



**TECHNICAL STANDARDS & SAFETY AUTHORITY**  
 14th Floor, Centre Tower  
 3300 Bloor Street West  
 Toronto, Ontario  
 Canada M8X 2X4

Show facsimile of manufacturer's logo or trademark, as it will appear on the fitting, in the space below

Swagelok

## STATUTORY DECLARATION Registration of Fittings

I, David H. Peace, Vice President of Engineering  
(Name and Position, e.g. President, Plant Manager, Chief Engineer)

of Swagelok Company  
(Name of Manufacturer)

Located at 29500 Solon Road, Solon, Ohio 44139 USA (440) 248-4600 (440) 349-5970  
(Plant Address) (Telephone No.) (Fax No.)

do solemnly declare that the fittings listed hereunder, which are subject to the **Technical Standards and Safety Act**, Boilers and Pressure Vessels Regulation, comply with all of the requirements of

(Title of recognized North American Standard)  
 \_\_\_\_\_  
 which specifies the dimensions, materials of construction, pressure/temperature ratings, identification marking the fittings and service;

or are not covered by the provisions of a recognized North American standard and are therefore manufactured to comply with \_\_\_\_\_ as supported by the attached data which identifies the dimensions, material of construction, pressure/temperature ratings and the basis for such ratings, the marking of the fitting for identification and service.

I further declare that the manufacture of these fittings is controlled by a quality system meeting the requirements of ISO 9001:2008 which has been verified by the following authority, BSI.

The items covered by this declaration, for which I seek registration, are category C type fittings. In support of this application, the following information and/or test data are attached as follows:  
ISO 9001:2008 Certificate, Catalog Information, Support Documents, Attachment B, Attachment A  
(drawings, calculations, test reports, etc.)

Declared before me at Solon in the State of Ohio  
 the 08<sup>th</sup> day of March AD 2016.

Commissioner for Oaths:

Jamie L Ristau Jamie L. Ristau  
(Printed name) Resident Portage County  
Jamie L Ristau Notary Public, State of Ohio  
(Signature) My Commission Expires: 03/06/2019

[Signature]  
(Signature of Declarer)

### FOR OFFICE USE ONLY

To the best of my knowledge and belief, the application meets the requirements of the **Technical Standards and Safety Act**, Boilers and Pressure Vessels Regulation, and CSA Standard B51 and is accepted for registration in Category C.

CRN: QC18622.54  
 Registered by: RYAN ORLESKY  
 Dated: NOV 18, 2016



**NOTE:** This registration expires on: JULY 29, 2024



**Colleen Anne Ratcliff,**  
a Commissioner, etc., City of Toronto, for the  
Technical Standards & Safety Authority.  
Expires July 24, 2019.

**Attachment B. Scope of Registration for Swagelok VB03 and VB04  
Series Process Interface Valves (Category C)**



**Product Scope**

This document represents the scope of Swagelok VB03 and VB04 Series Process Interface Valves covered by this submission for CRN approval. Swagelok VB03 and VB04 Series Process Interface Valves were designed and evaluated in accordance with ASME B31.1 and ASME B31.3 as unlisted components.

COPY

**Summary Tables**

Table 1: VB03 Scope							
Body Material/ Specification	Configuration	ASME Class	Flange Size	Bore Size	Minimum Temperature	Maximum Allowable Working Pressure (psig)	
						At 70°F	At 400°F
F316/F316L ASTM A182	Ball/Needle/Ball (Block/Bleed/Block):	150	1 in. (DN 25)	1 in. (DN 25)	-58°F	2160	1540
	Full Bore	300	1-1/2 in. (DN 40)				
	Reduced Bore	600	2 in. (DN 50)	1-1/2 in. (DN 40)			
		900					

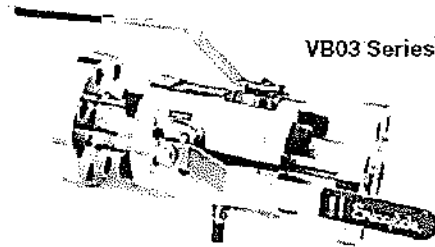
- 1) All seat and seal combinations
- 2) All flange types: RF smooth, RF serrated, and RTJ
- 3) Outlet connection = same as process
- 4) Bleed connection: 1/2 in. female NPT

Table 2: VB04 Scope								
Body Material/ Specification	Configuration	ASME Class	Process Connection Size	Process Connection	Outlet Connection	Minimum Temperature	Maximum Allowable Working Pressure (psig)	
							At 70°F	At 400°F
F316/F316L ASTM A182	Ball/Needle/Ball (Block/Bleed/Block):	150	1/2 in. (DN 15)	Flange – RF Smooth	1/2 in. female NPT	-58°F	3600	2570
	3/8 in. (9.5 mm) bore	300 / 600	3/4 in. (DN 20)	Flange – RF Serrated				
	1/2 in. (14 mm) bore	900 / 1500	1 in. (DN 25)	Flange – RTJ				
	3/4 in. (20 mm) bore		1-1/2 in. (DN 40)	NPT Female (1/2 DN 15 only)				

- 1) All seat and seal combinations
- 2) Bleed connection: 1/2 in. female NPT

## Product Drawings/Configurations

### Process Interface Valves



VB03 Series

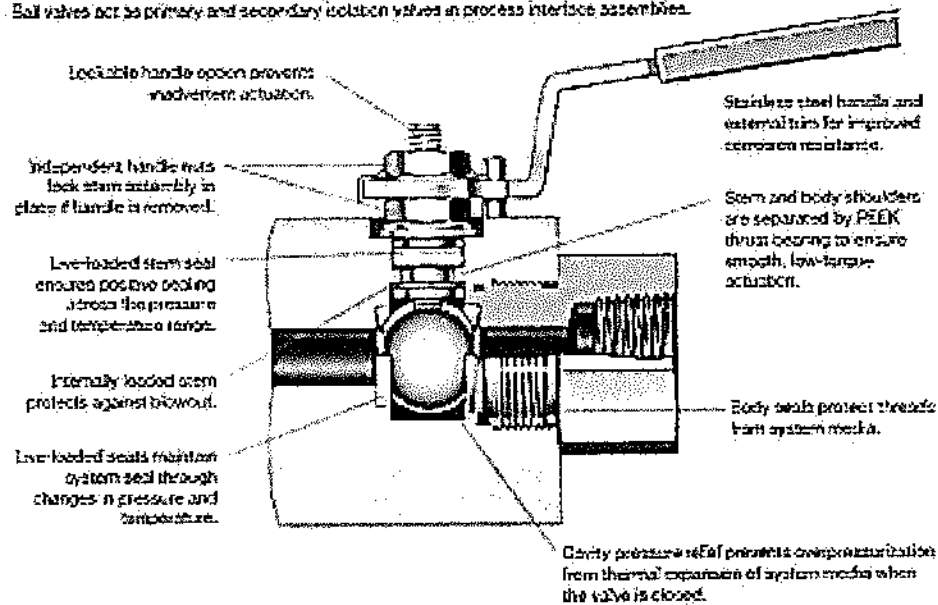


VB04 Series

### Process Instrumentation and Piping

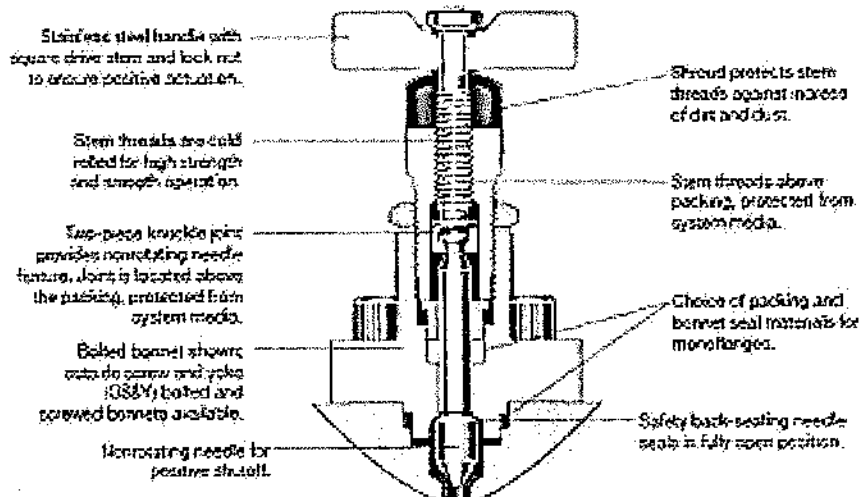
#### Ball Valve Module Advantages

Ball valves act as primary and secondary isolation valves in process interface assemblies.



#### Needle Valve Module Advantages

Needle valves act as primary and secondary isolation valves in process manifolds and as vent valves in manifolds and process interface assemblies.



**Typical Product Characteristics:**

The list below are examples of product options which do not affect the pressure-temperature ratings shown in the Summary Table. All of the following options are within the scope of this registration:

- Lockable Lever Handles (for block valves)
- Non-lockable Lever Handles (for block valves)
- Antitamper bleed valve
- Bar handle (for bleed valve)
- Injection and Sampling probes
- Integral Check valves
- Sour gas service

**Quality System**

The Swagelok Company quality system complies with the requirements of BS EN ISO 9001:2008. The Swagelok Company maintains British Standards Institution Certificate of Registration Number FM 01729, which applies to all locations listed on the Certificate:

**Special Ordering Instructions**

None

**References**

The product catalog does not represent the full scope of registration, but rather details some of the most common options.

- Swagelok Process Interface Valves MS-02-340, R9