



"See Acceptance Letter for the comments and/or conditions of registration"



the pressure equipment safety authority

STATUTORY DECLARATION
Registration of Fittings

In this space, show facsimile of manufacturer's logo or trademark as it will appear on the fitting.

Swagelok

I, David H. Peace,

Vice President of Engineering

(company title, e.g. vice president, plant manager, chief engineer) (must be in a position of authority)

of Swagelok Company

(name of manufacturer)

located at Headquarters: 29500 Solon Road, Solon, Ohio 44139 USA (See Attachment A)

(plant address)

do solemnly declare that the fittings listed hereunder, which are subject to the Safety Codes Act (check one)

comply with the requirements of ASME B31.1 and ASME B31.3 which specifies the dimensions, (title of recognized North American Standard)

materials of construction, pressure/temperature ratings and identification marking of the fittings, or

are not covered by the provisions of a recognized North American standard and are therefore manufactured to comply with _____ as supported by the attached data which identifies the dimensions, materials of construction, pressure/temperature ratings and the basis for such ratings, and the marking of the fittings for identification.

I further declare that the manufacture of these fittings is controlled by a quality control program which has been verified by the following authority, BSI as being suitable for the manufacture of these fittings to the stated standard. The fittings covered by this declaration, for which I seek registration, are Category C Type Fittings

In support of this application, the following information, calculations and/or test data are attached:

ISO 9001:2008 Certificate, Support Documents, Attachment B, Catalog Information, Attachment A

DECLARED before me at Solon in the State of Ohio

this 08th day of March, 2016

(Month) (Year)

(print) Jamie L Ristau Resident Portage County

Notary Public, State of Ohio

(sign) Jamie L Ristau My Commission Expires: 03/06/2019 (A Commissioner for Oaths)

[Signature]
(Signature of Applicant)

For Office Use Only

To the best of my knowledge and belief, the application meets the requirements of the Safety Codes Act and CSA Standard B51, Clause 4.2, and is accepted for registration in Category C

Registration Number: 0C18622.52

Date Registered: NOV 07 2016

[Signature]
(For the Administrator/Chief Inspector of Alberta)
Expiry Date: Jul 29 2026

Attachment B. Scope of Registration for Swagelok VB03 and VB04 Series Process Interface Valves (Category C)

0C18622.52

Product Scope

NOV 07 2016

This document represents the scope of Swagelok VB03 and VB04 Series Process Interface Valves covered by this submission for CRN approval. Swagelok VB03 and VB04 Series Process Interface Valves were designed and evaluated in accordance with ASME B31.1 and ASME B31.3 as unlisted components.

Summary Tables

Table 1: VB03 Scope							
Body Material/ Specification	Configuration	ASME Class	Flange Size	Bore Size	Minimum Temperature	Maximum Allowable Working Pressure (psig)	
						At 70°F	At 400°F
F316/F316L ASTM A182	Ball/Needle/Ball (Block/Bleed/Block):	150	1 in. (DN 25)	1 in. (DN 25)	-58°F	2160	1540
	Full Bore	300	1-1/2 in. (DN 40)				
	Reduced Bore	600	2 in. (DN 50)				
		900					

- 1) All seat and seal combinations
- 2) All flange types: RF smooth, RF serrated, and RTJ
- 3) Outlet connection = same as process
- 4) Bleed connection: 1/2 in. female NPT

Table 2: VB04 Scope								
Body Material/ Specification	Configuration	ASME Class	Process Connection Size	Process Connection	Outlet Connection	Minimum Temperature	Maximum Allowable Working Pressure (psig)	
							At 70°F	At 400°F
F316/F316L ASTM A182	Ball/Needle/Ball (Block/Bleed/Block):	150	1/2 in. (DN 15)	Flange – RF Smooth	1/2 in. female NPT	-58°F	3600	2570
	3/8 in. (9.5 mm) bore	300 / 600	3/4 in. (DN 20)	Flange – RF Serrated				
	1/2 in. (14 mm) bore	900 / 1500	1 in. (DN 25)	Flange – RTJ				
	3/4 in. (20 mm) bore		1-1/2 in. (DN 40)	NPT Female (1/2 DN 15 only)				

- 1) All seat and seal combinations
- 2) Bleed connection: 1/2 in. female NPT

"See Acceptance Letter for the comments and/or conditions of registration"

ASCA
SAFETY CODES ACT - PROVINCE OF ALBERTA
REGISTRATION OF FITTINGS

REGISTRATION NO. 0C18622.52

DWG. NO. or CAT. NO. Attachment B

TYPE OF FITTINGS VB03/VB04 Series Valves

NOV 07 2016

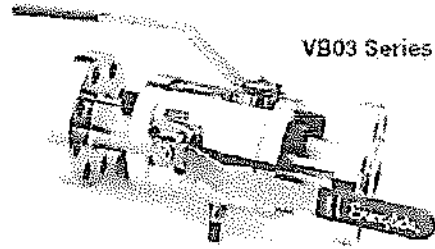
INITIALS *Keith Rudolf*

Date

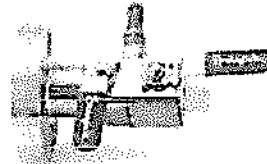
KEITH RUDOLF, P.Eng.
DESIGN SURVEY ENGINEER

Product Drawings/Configurations

Process Interface Valves



VB03 Series

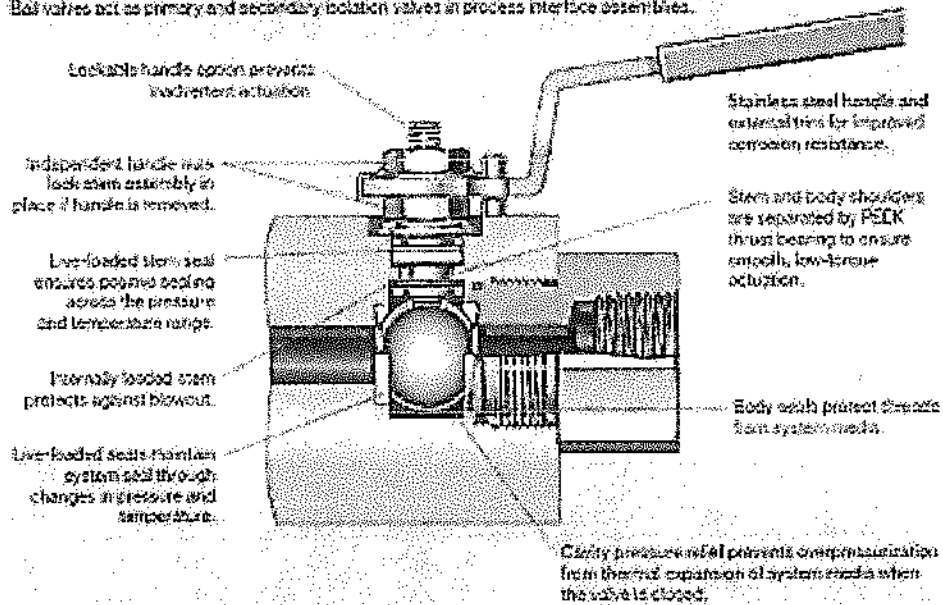


VB04 Series

Process Instrumentation and Piping

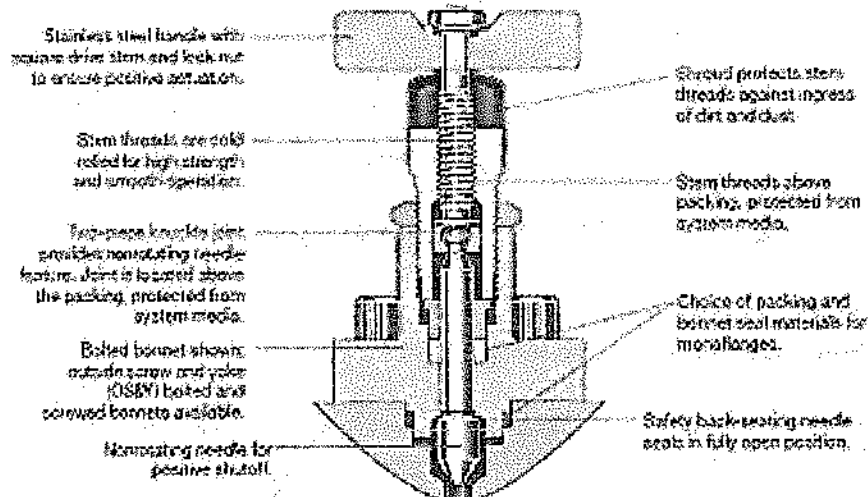
Ball Valve Module Advantages

Ball valves act as primary and secondary isolation valves in process interface assemblies.



Needle Valve Module Advantages

Needle valves act as primary and secondary isolation valves in process manifolds and as vent valves in manifold and process interface assemblies.



0018622.52

Typical Product Characteristics:

The list below are examples of product options which do not affect the pressure-temperature ratings shown in the Summary Table. All of the following options are within the scope of this registration:

- Lockable Lever Handles (for block valves)
- Non-lockable Lever Handles (for block valves)
- Antitamper bleed valve
- Bar handle (for bleed valve)
- Injection and Sampling probes
- Integral Check valves
- Sour gas service

Quality System

The Swagelok Company quality system complies with the requirements of BS EN ISO 9001:2008. The Swagelok Company maintains British Standards Institution Certificate of Registration Number FM 01729, which applies to all locations listed on the Certificate.

Special Ordering Instructions

None

References

The product catalog does not represent the full scope of registration, but rather details some of the most common options.

- Swagelok Process Interface Valves MS-02-340, R9